

info@transmonk.in | +91 7875634566 | www.transmonk.in

CIRCULAR INLINE FANS



TRANSMONK
INDIA PVT. LTD.

The fan & HVAC Accessories Manufacturing

FEATURES

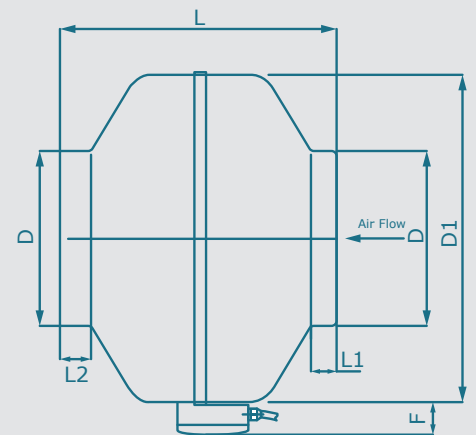
- Very Quiet
- Light Weight
- High Efficiency
- Easy Installation
- External rotor motors
- Certifications: CE & CCC
- Protection class IP44 & Thermal class F
- Available with AC external rotor motor

Axial fans are best suited for inline flow applications but they cannot withstand high static. Centrifugal fans are used wherever we need air to move against high static pressure but they throw the air at 90 degrees to the suction direction. When these centrifugal fans are put inside a circular duct, the direction of flow becomes inline and this is how we get a Circular inline fan.

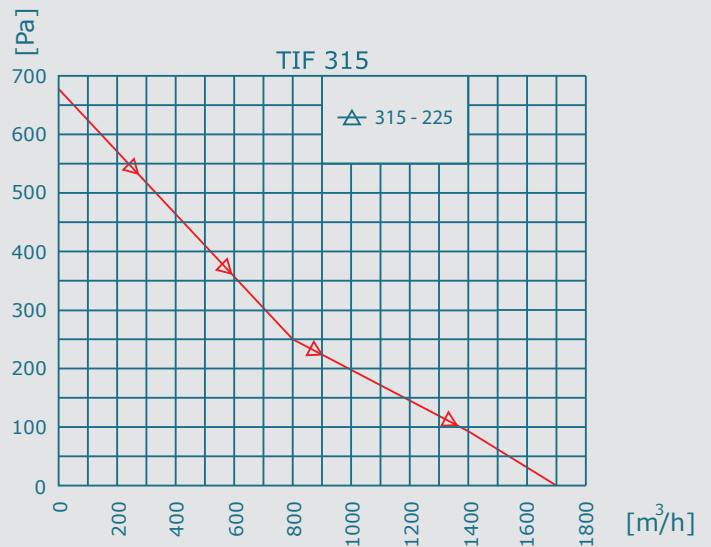
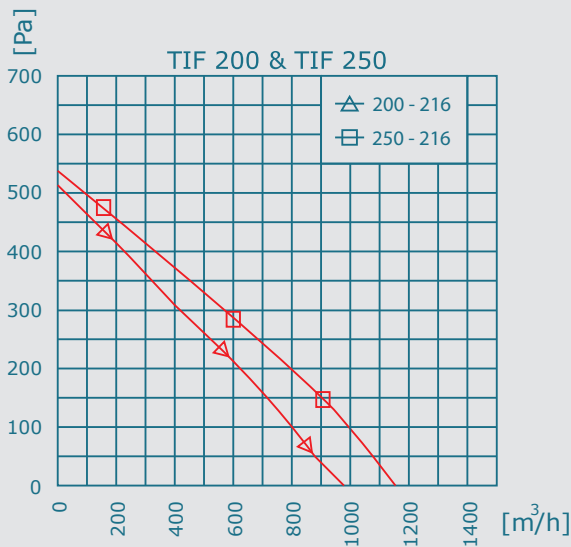
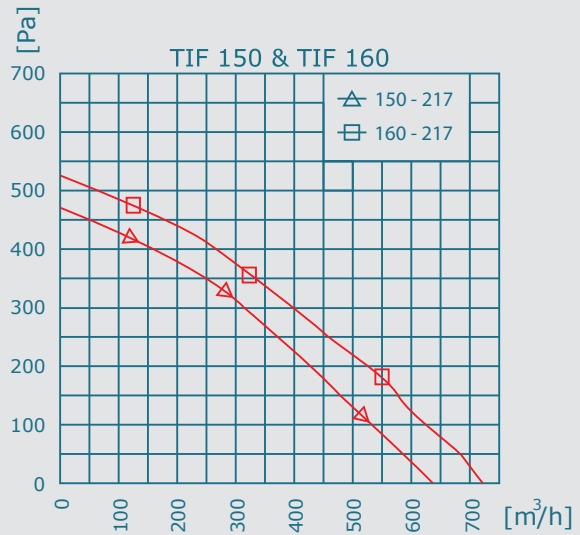
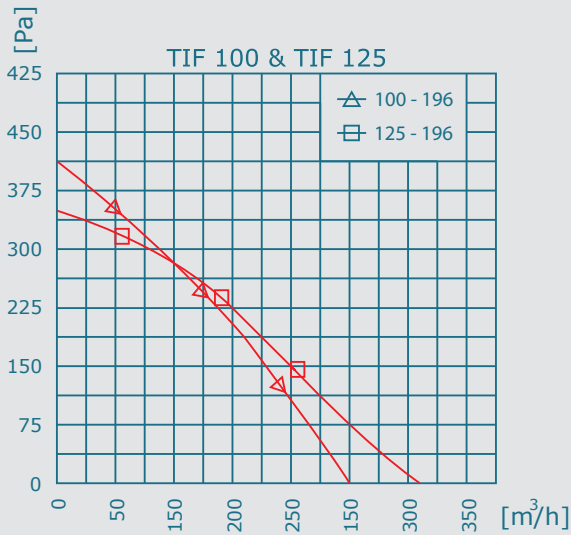


DIMENSIONS

Model	D (mm)	D1 (mm)	L (mm)	L1 (mm)	L2 (mm)	F (mm)
TIF 100	100	243	196	22	22	43
TIF 125	125	243	196	25	30	43
TIF 150	150	333	217	25	22	44
TIF 160	160	333	217	25	25	44
TIF 200	200	333	216	25	25	44
TIF 250	250	333	216	25	36	44
TIF 315	315	402	255	32	40	42.5

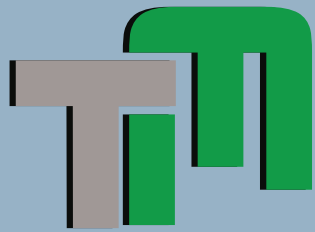


PERFORMANCE CURVES



TECHNICAL PARAMETERS

Model	Power Supply	Frequency (Hz)	Power (W)	Current (A)	Speed (RPM)	Air Flow (m/h)	Noise (dB)	Thermal Class	IP Degree	Weight (Kg)
TIF 100	1~230 V	50	60	0.28	2600	250	44	F	44	3
TIF 125	1~230 V	50	68	0.30	2610	310	44	F	44	3.3
TIF 150	1~230 V	50	120	0.56	2440	640	46	F	44	4.5
TIF 160	1~230 V	50	160	0.73	2590	725	46	F	44	4.7
TIF 200	1~230 V	50	165	0.73	2620	985	50	F	44	5.3
TIF 250	1~230 V	50	170	0.75	2600	1155	51	F	44	5.6
TIF 315	1~230 V	50	187	0.86	2530	1700	51	F	44	6



TRANSMONK

INDIA PVT. LTD.

The fan & HVAC Accessories Manufacturing

Office Address

Transmonk India Pvt. Ltd,
13, City Light CHSL, Plot No. 25, Sector 1,
Near Terna Polytechnic, Koparkhairane,
Navi Mumbai – 400709, Maharashtra

Warehouse Address

Transmonk India Pvt. Ltd,
Building No. F4, Unit No. 109, Bhumi
World, Mumbai Nashik Road Bhiwandi,
Thane, Mumbai - 421311, Maharashtra